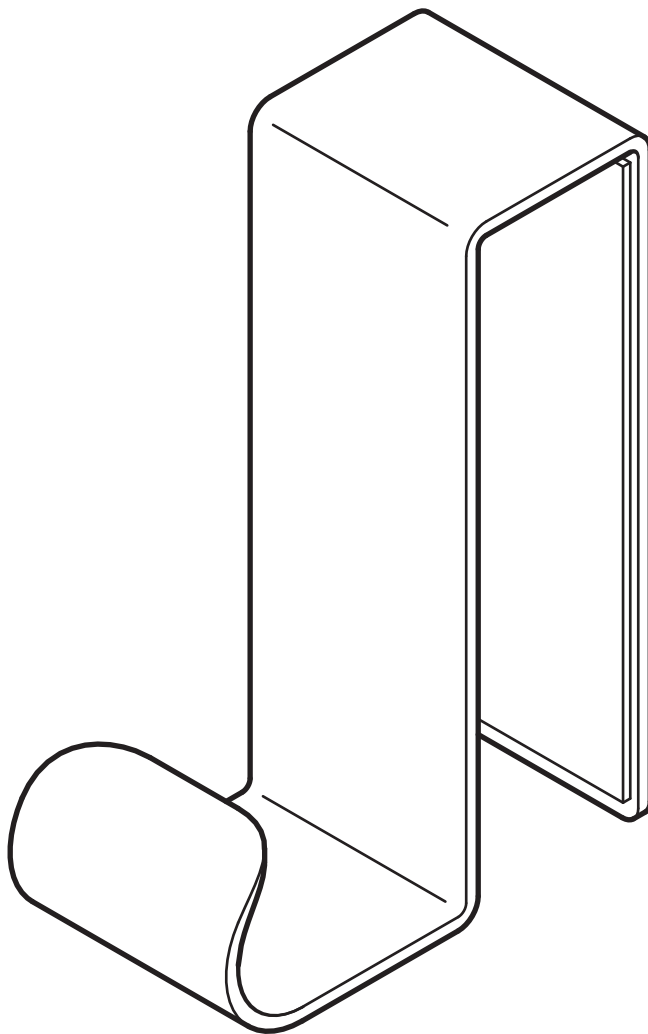
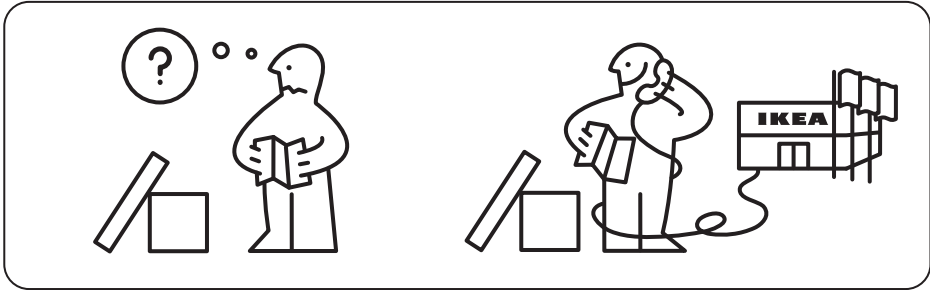
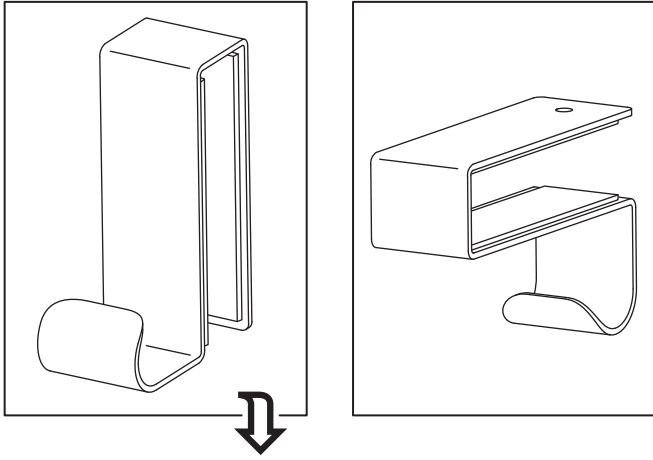


# KOMPLEMENT

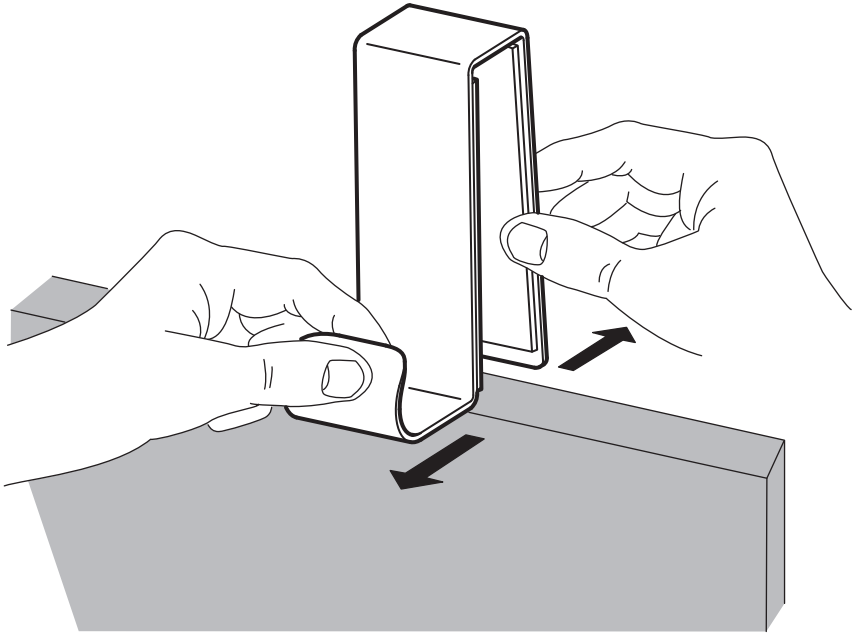


Design and Quality  
IKEA of Sweden





**1**



# 2

